



ENERPAC 



Speed and power
in a portable cordless
hydraulic pump

▼ Shown: BP-122



Cordless Hydraulic Power



28-Volt Lithium-Ion Battery

Heavy-duty construction with easy to operate latches. Fuel gauge LEDs show remaining charge.

- Lightweight, compact design with integrated handle for maximum portability
- Dual power selection and variable speed for preferred flow and precise control
- Heavy-duty 28 volt Lithium-Ion battery pack delivers constant fade-free power
- Immediate charging after use — a quick one hour charge
- Pump model includes two 3.0 amp-hour battery packs and quick charger

Number of illuminated LEDs	Charge Remaining
4 ■■■■	100%-78%
3 ■■■	77%-56%
2 ■■	55%-34%
1 ■	33%-10%
Flashing	less than 10%



G2535L Gauge

Minimize the risk of overloading and ensure long dependable service from your cordless pump.



Battery packs contain no cadmium, so they are environmentally friendly. Enerpac encourages recycling.

◀ Take the battery pump anywhere without any power cords or air hoses.

Battery Powered Hydraulic Pump



Battery Powered Pump

The BP cordless pump is best suited for small to medium size cylinders or hydraulic tools, or wherever portable cordless hydraulic power is needed.

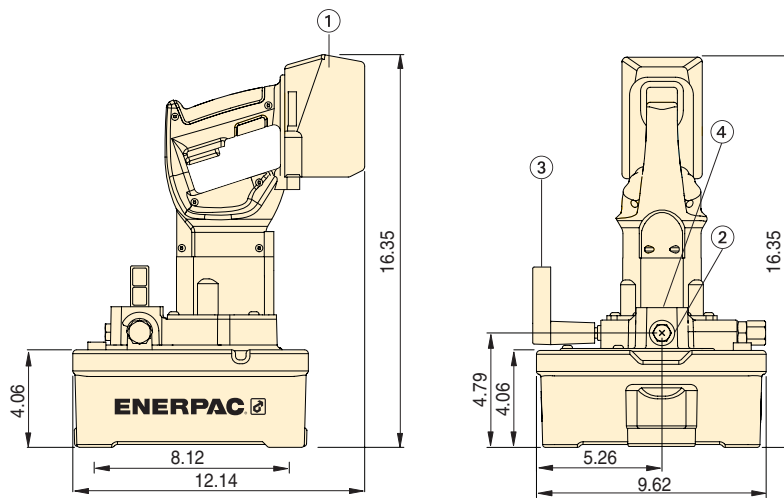
Powerful for everyday use, its lightweight and ergonomic design is ideal for both remote job sites or wherever a cord gets in the way.

The Lithium-Ion battery operates at peak performance under extreme conditions to get more work completed. The battery pack provides the power to run the cordless pump at maximum pressure for over six minutes. Numerous applications are easily and safely performed using the cordless pump powered by the Lithium-Ion battery pack.*

- 130 cuts of 3/8-inch reinforcing bar using the WHC750 cutter
- 75 lifts with a WR5 spreader
- Safely remove thirty 1-inch nuts using the NC3241 nut splitter
- Lift loads multiple times using 5–100 ton jacks

This battery powered hydraulic pump is CSA and CE compliant.

*Actual number of cycles will depend on condition of tool, battery, and ambient conditions.



- ① 28-Volt Lithium-Ion battery
- ② 3/8"-18 NPTF oil outlet
- ③ 3-way, 2-position valve
- ④ 1/4"-18 NPTF gauge port

SELECTION CHART

Usable Oil Capacity (gal)	Model Number	Output Flow Rate (in ³ /min)		Valve Function	Charger Voltage (VAC)	Weight (lbs)
		200 psi	10,000 psi			
0.5	BP-122	120	15	3-way, 2-pos.	115	21.2
1.0	BP-124	120	15	3-way, 2-pos.	115	24.0
0.5	BP-122E	120	15	3-way, 2-pos.	230	21.2
1.0	BP-124E	120	15	3-way, 2-pos.	230	24.0

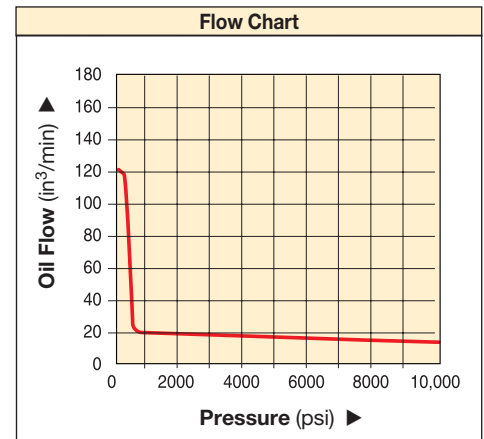
BP Series



Reservoir Capacity:
.5-1.0 gal.

Flow at Rated Pressure:
15 in³/min.

Maximum Operating Pressure:
10,000 psi



▼ Power and simplicity for the toughest jobs.



Battery Powered Hydraulic Pump



ENERPAC

The Industrial Tools Line

Cylinders

- General Purpose
- Pancake
- Aluminum Lightweight
- Low Height
- Heavy-duty
- Hollow Plunger
- Industrial
- Pull
- Long Stroke
- Jacks
- Spread

Pumps

- Manual
- Electric Driven
- Compressed Air Driven
- Petrol Driven

System Components

- Hoses, Couplers, Oil
- Gauges, Adaptors
- Manifolds, Fittings

Valves

- 3-and 4-Way Directional
- Pressure and Flow Control

Presses

- Bench and Workshop
- Roll Frame Presses
- Arbor and C-Clamps

Pullers

- Master Pullers Sets
- Multi Purpose Puller Sets
- Posi Lock® Pullers

Tools

- Maintenance Sets
- Punches
- Machine Lifts
- Load Skates
- Cutters
- Pipe Benders

Bolting Tools

- Nut Splitters
- Flange/Wedge Spreaders
- Flange Alignment Tools
- Torque Wrenches
- Hydraulic Wrench Pumps
- Twin Safety Hoses

Integrated Hydraulic Solutions

- Stage Lift Systems
- Synchronous Lifting Systems
- Synchronous Hoisting Systems
- Strand Jacking Systems

Enerpac Worldwide Locations

Africa

ENERPAC Middle East FZE
Office 423, JAFZA 15
P.O. Box 18004
Jebel Ali, Dubai
United Arab Emirates
Tel:+971 (0)4 8872686
Fax:+971 (0)4 8872687

Australia, New Zealand

Actuant Australia Ltd.
Block V Unit 3
Regents Park Estate
391 Park Road
Regents Park NSW 2143
(P.O. Box 261) Australia
Tel:+61 297 438 988
Fax:+61 297 438 648

Brazil

Power Packer do Brasil Ltda.
Rua dos Inocentes, 587
04764-050 - Sao Paulo (SP)
Tel:+55 11 5687 2211
Fax:+55 11 5686 5583
Toll Free: 0800 891 5770
vendasbrasil@enerpac.com

Canada

Actuant Canada Corporation
6615 Ordan Drive, Unit 14-15
Mississauga, Ontario L5T 1X2
Tel:+1 905 564 5749
Fax:+1 905 564 0305
Toll Free:
Tel: +1 800 268 4987
Fax:+1 800 461 2456
Technical Inquiries:
techservices@enerpac.com

China

Actuant Industries Co., Ltd.
No. 6 East Nanjing Road
Taicang, Jiangsu Province
215400, China
Tel:+86 0512 5328 7500
Fax:+86 0512 5335 9690

Actuant China Ltd. (Beijing)

709B Diyang Building
Xin No. 2
Dong San Huan North Rd.
Beijing City, 100028 China
Tel: +86 10 845 36166
Fax:+86 10 845 36220

Japan

Applied Power Japan LTD KK
Besshocho 85-7
Kita-ku, Saitama-shi 331-0821
Japan
Tel:+81 48 662 4911
Fax:+81 48 662 4955

France and Switzerland

ENERPAC Une division de ACTUANT
France S.A.
ZA de Courtaboeuf
32, avenue de la Baltique
91140 VILLEBON /YVETTE
France
Tel:+33 1 60 13 68 68
Fax:+33 1 69 20 37 50

Germany, Austria, Switzerland,

Greece, Central and

Eastern Europe
ENERPAC GmbH
P.O. Box 300113
D-40401 Düsseldorf
Willstätterstrasse 13
D-40549 Düsseldorf Germany
Tel:+49 211 471 490
Fax:+49 211 471 49 28

India

ENERPAC Hydraulics
(India) Pvt. Ltd.
No. 1A, Peenya Industrial Area,
IIInd Phase,
Bangalore, 560 058
India
Tel:+91 80 40 792 777
Fax:+91 80 40 792 792

Italy

ENERPAC S.p.A.
Via Canova 4
20094 Corsico (Milano)
Tel:+39 02 4861 111
Fax:+39 02 4860 1288

Middle East, Turkey and Caspian Sea

ENERPAC Middle East FZE
Office 423, JAFZA 15
P.O. Box 18004
Jebel Ali, Dubai
United Arab Emirates
Tel:+971 (0)4 8872686
Fax:+971 (0)4 8872687

Russia and CIS

(excl. Caspian Sea Countries)
Actuant LLC
Admiral Makarov Street 8
125212 Moscow
Russia
Tel:+7-495-9809091
Fax:+7-495-9809092

Scandinavia

Enerpac Scandinavia AB
Fabriksgatan 7
41250 Gothenburg
Sweden
Tel:+46 31 7990281
Fax:+46 31 7990010

Singapore

Actuant Asia Pte Ltd.
37C, Benoi Road Pioneer Lot,
Singapore 627796
Tel:+65 68 63 0611
Fax:+65 64 84 5669
Toll Free:
Tel: +1800 363 7722
Technical Inquiries:
techsupport@enerpac.com.sg

South Korea

Actuant Korea Ltd.
3Ba 717, Shihwa Industr. Complex
Jungwang-Dong, Shihung-Shi,
Kyunggi-Do
Republic of Korea 429-450
Tel:+82 31 434 4506
Fax:+82 31 434 4507

Spain and Portugal

ENERPAC SPAIN, S.L.
Avda. Los Frailes 40 - Nave C & D
Pol. Ind. Los Frailes
28814 Daganzo de Arriba (Madrid)
Spain
Tel:+34 91 661 11 25
Fax:+34 91 661 47 89

The Netherlands, Belgium, Luxembourg, Denmark, Norway, Finland, Baltic States

ENERPAC B.V.
Galvanistraat 115, 6716 AE Ede
P.O. Box 8097, 6710 AB Ede
The Netherlands
Tel:+31 318 535 911
Fax:+31 318 525 613
+31 318 535 848
Technical Inquiries Europe:
techsupport.europe@enerpac.com
ENERPAC
Daalakkerweg 24
6041 BL Roermond
P.O. Box 49, 6040 AA, Roermond
The Netherlands
Tel:+31 475 355 000
Fax:+31 475 331 774

United Kingdom and Ireland

ENERPAC Ltd.,
Bentley Road South
Darlaston, West Midlands
WS10 8LQ, England
Tel:+44 (0)121 50 50 787
Fax:+44 (0)121 50 50 799

USA, Latin America and Caribbean

ENERPAC
P.O. Box 3241
6100 N. Baker Road
Milwaukee, WI 53209 USA
Tel:+1 262 781 6600
Fax:+1 262 783 9562
User inquiries:
+1 800 433 2766
Distributor inquiries/orders:
+1 800 558 0530
Technical Inquiries:
techservices@enerpac.com
ENERPAC
704 W. Simonds
Dallas, TX 75159, USA
Tel: +1 972 287 2390
Fax:+1 972 287 4469

102808

e-mail: info@enerpac.com
Internet: www.enerpac.com

Your Enerpac Distributor:

Gustin Hydraulics
151 West 2125 So.
SLC, UT 84115
Contact: David Eldredge (435) 401-1386
de@naltic.com